

GL SERIES
PROFESSIONAL GRAND PIANOS

K. KAWAI



A close-up, artistic photograph of the internal mechanism of a piano, showing the intricate arrangement of strings and hammers. The lighting is soft and focused, highlighting the metallic textures and the precision of the instrument's construction. The background is a warm, golden-brown color, creating a sense of elegance and timelessness.

**SIMPLE ELEGANCE.
GREAT PERFORMANCE.
CLASSIC KAWAI.**

THE GL SERIES GRAND PIANOS POSSESS ALL THE ESSENTIAL QUALITIES THAT HAVE MADE KAWAI PIANOS A PREFERRED CHOICE OF PIANISTS AND EDUCATORS FOR GENERATIONS. THEY WERE CONCEIVED WITH ONE GOAL IN MIND— TO PROVIDE EXCEPTIONAL TOUCH AND TONE THAT ENDURES.

THE WORLD'S MOST ADVANCED PIANOS

FOR OVER 85 YEARS, KAWAI HAS BEEN THE ARCHITECT OF THE MODERN PIANO
BOLDLY PIONEERING THE USE OF STATE-OF-THE-ART MATERIALS AND IDEAS
TO ADVANCE THE PIANO ART FORM. BUILDING UPON DECADES OF EXPERIENCE
AND TRADITION, OUR CELEBRATED TECHNOLOGY DELIVERS EXTRAORDINARY TOUCH
AND TONE THAT IS RESPECTED WORLDWIDE FOR ITS REMARKABLE STABILITY.
THIS IS THE KAWAI DIFFERENCE THAT YOU WILL HEAR AND FEEL FOR YEARS TO COME.

MAJOR KAWAI TECHNOLOGY
ADVANCEMENTS:

1965

Kawai introduces action
rails made of aluminum

1970

ABS Styran is first used in
Kawai upright piano actions

1975

ABS Styran is utilized in
Kawai grand piano actions



THE MILLENNIUM III ACTION

The centerpiece of Kawai technology is our ground-breaking **Millennium III Action** featuring components made of ABS-Carbon—a composite material infused with carbon fiber. Because ABS-Carbon is incredibly strong and rigid, GL Series action parts can be made lighter without sacrificing strength. The result is a stronger, faster action that offers more power, better control and greater stability than conventional all-wood actions.

1980

Introduction of die-cast aluminum action brackets

1984

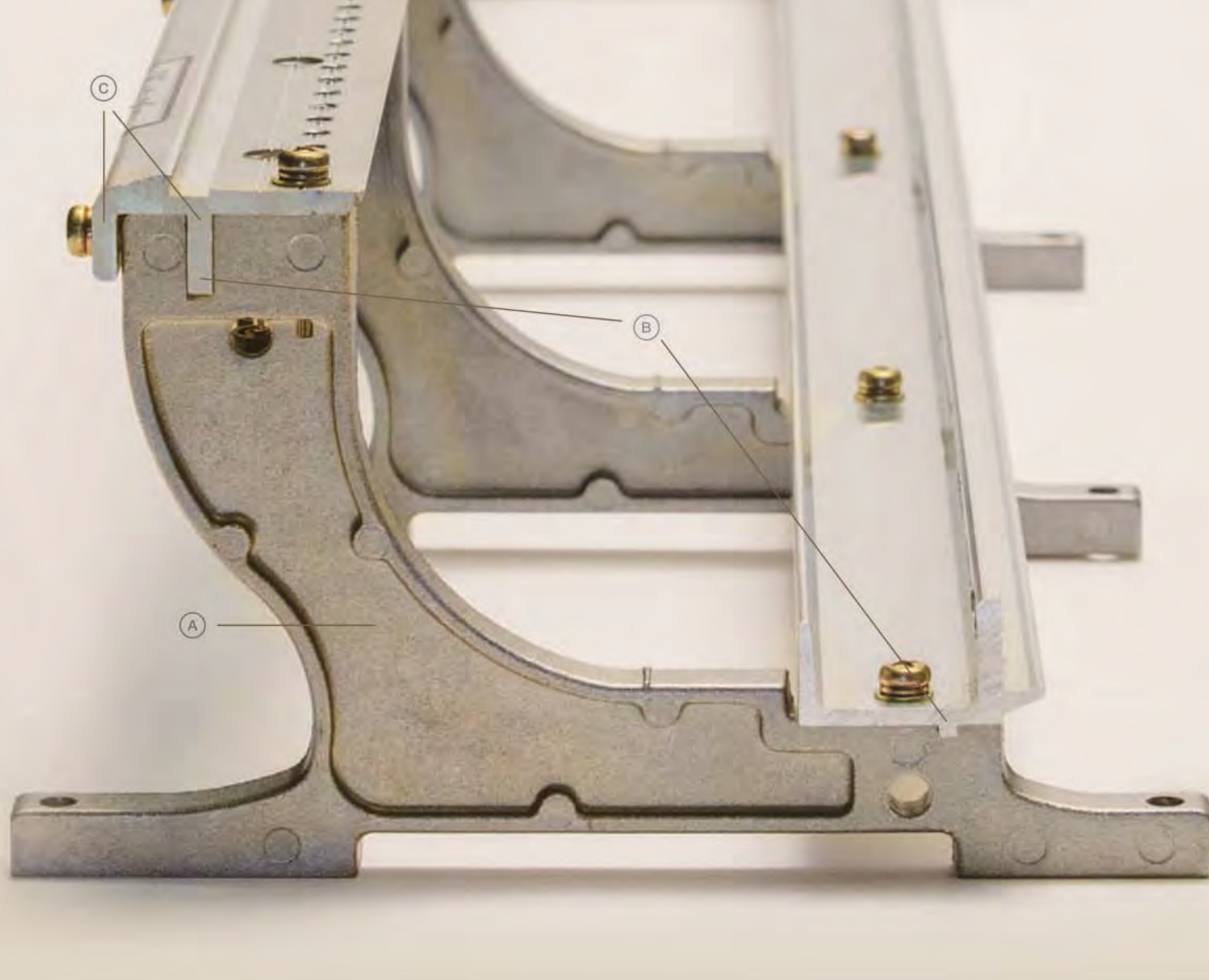
Exclusive Carbon Jack introduced in grand piano actions

1996

ABS Styran used for full wippen assembly, hammer flange and damper action

2004

Kawai introduces Millennium III Action with ABS-Carbon



TOUCH

LONG-TERM CONSISTENCY OF TOUCH CAN ONLY BE ACHIEVED THROUGH AN INTELLIGENT DESIGN APPROACH THAT EMBRACES THE MOST ADVANCED METHODS AND MATERIALS.

(A) DIE-CAST ALUMINUM ACTION BRACKETS

Made from a custom mold, die-cast parts are formed exactly the same every time. The GL Series grand pianos feature a minimum of five aluminum action brackets that are die-cast to provide an added measure of strength and uniform stability for accurate touch over time.

(B) PERMANENTLY LOCKED RAILS

Both the hammer rail and the wippen rail are permanently locked in place to preserve the exacting tolerances of the action design and ensure consistent touch over the life of the piano.

(C) DUAL-BEAM ALUMINUM HAMMER RAIL

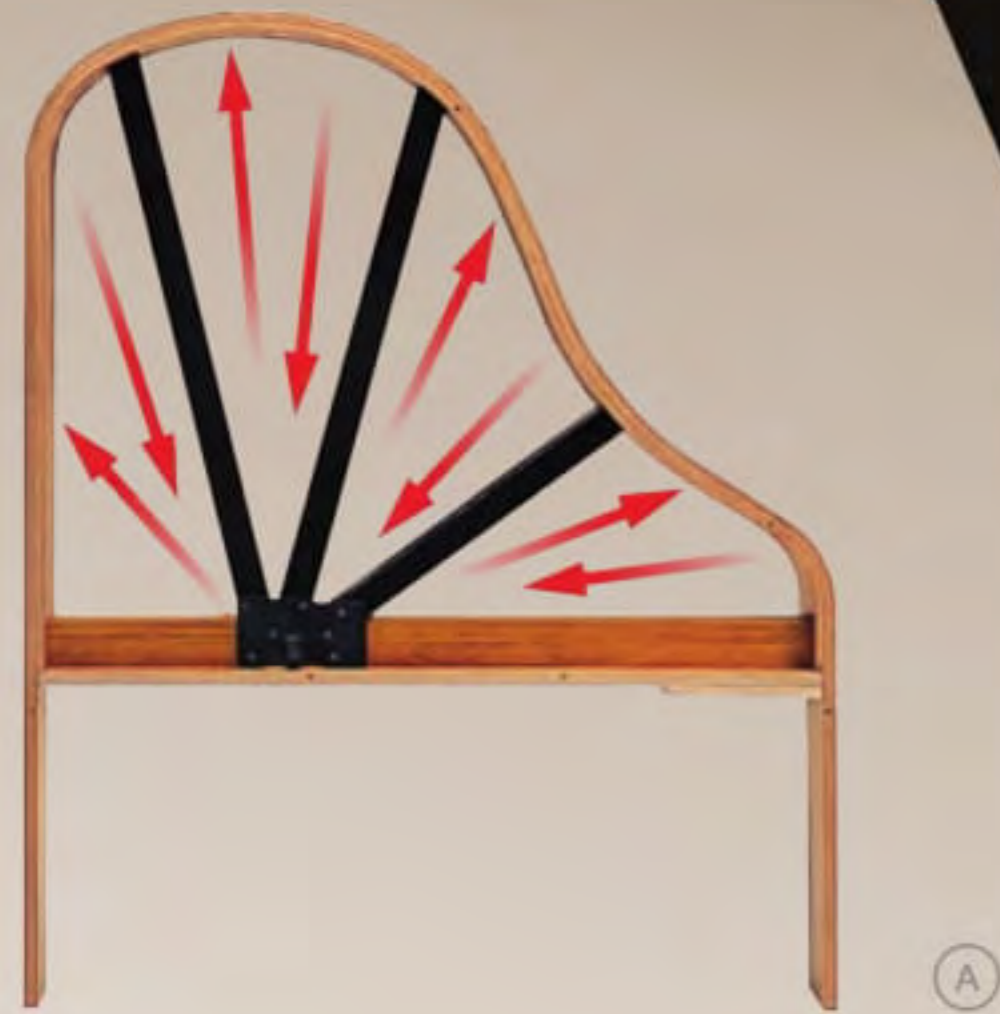
GL Series hammer rails are made of durable extruded aluminum with our exclusive Dual-Beam design for strength and stability.

(D) SERRATED RAIL SURFACE

The entire surface of the hammer rail is finely serrated to hold hammer flanges securely in place for optimum hammer alignment and a more precise hammer strike.

(E) INSULINER

The Insuliner stretches across the full length of the hammer rail. It absorbs excess vibrations to reduce action noise and seats the hammer flanges in place to preserve optimum hammer alignment.



TONE

KAWAI GRAND PIANOS ARE RENOWNED FOR THEIR EXPRESSIVE TONE AND EXPANSIVE DYNAMIC RANGE THAT ALLOW PIANISTS TO COMMUNICATE WITH EASE AND PASSION.





Ⓐ THE CORE SYSTEM (GL-40/50 ONLY)

CORE is an acronym that represents “Convergence for Optimum Reflected Energy.” Convergence refers to the way the piano’s strength centers—the rim, plate and underside beams—all focus on one central point at the heart of the instrument. This focus creates an incredibly strong “core” foundation that maximizes the reflective capabilities of the inner rim for outstanding tonal power and sustain.

Ⓑ TAPERED SOUNDBOARDS MADE OF SOLID SPRUCE

The purpose of the soundboard is to transform the vibrations of the piano’s strings into a rich, resounding tone. Kawai uses only straight-grained, quarter-sawn solid spruce for GL Series soundboards. Each one is strategically tapered to provide the optimum degree of resonant movement in each region. Only soundboards that meet or exceed our demanding resonance standards are selected for use in the GL Series grand pianos.

Ⓒ BRIDGES

Bridges transfer the vibrations of the strings to the soundboard. GL Series bridges are made of solid maple or beech and are carefully set and matched to the iron plate for correct string pressure and optimal energy transfer.

Ⓓ PREMIUM HAMMERS

GL Series hammers are constructed with maple mouldings, premium wool felt, and a layer of dense underfelt all working in harmony to produce the rich, expressive tone that is a hallmark of Kawai grand pianos.

Ⓔ THE POWER OF PIANISSIMO

One of the most coveted attributes of a fine piano is dynamic range—the ability to play not only thundering fortissimos, but also the most delicate and sensitive pianissimos. The technological superiority of the Millennium III Action is most evident in its extraordinary ability to produce the perfect pianissimo. It is ironic that GL Series technology speaks loudest when it whispers.

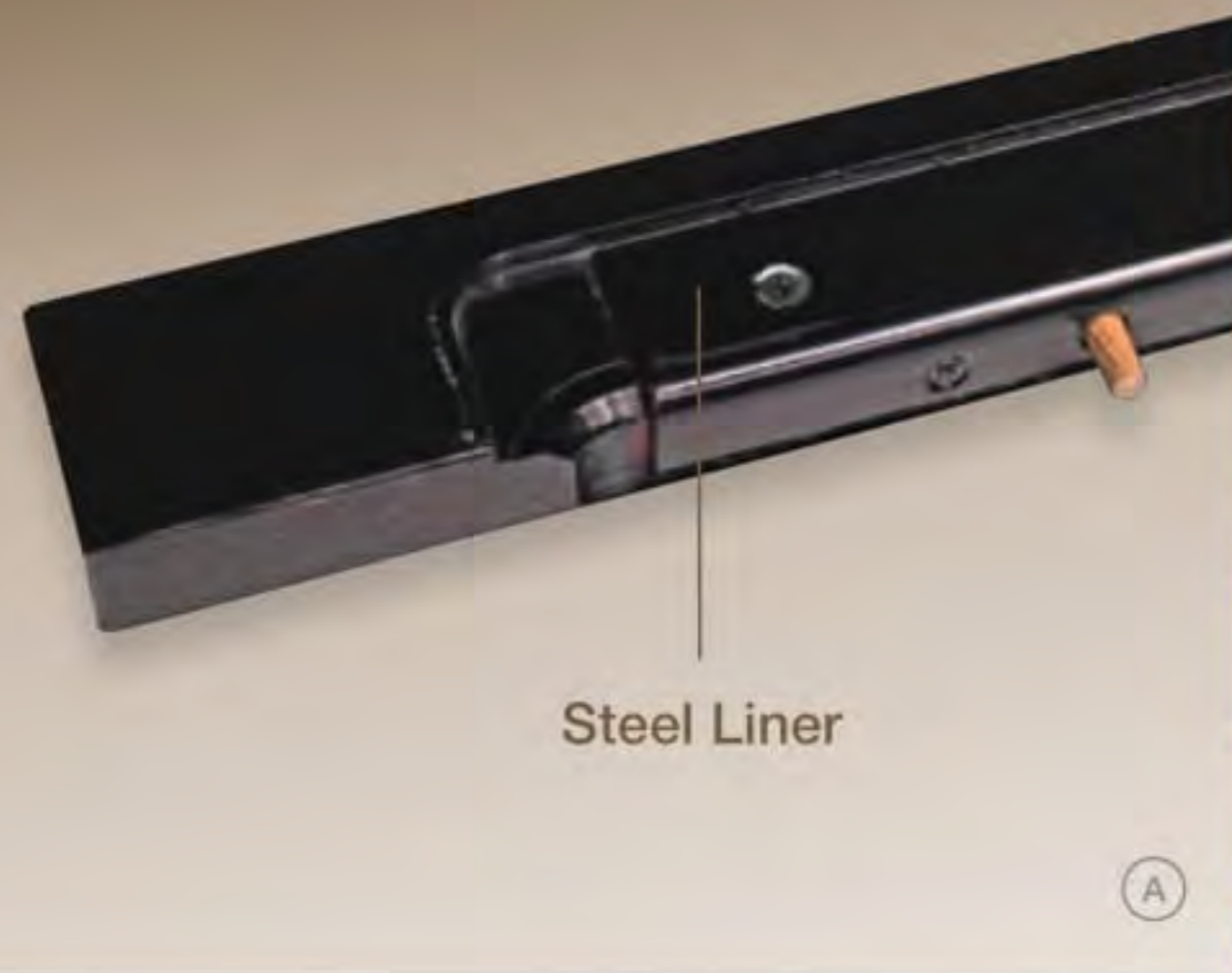
STRENGTH

STRENGTH ALLOWS A PIANO TO PERFORM WITH INTEGRITY AND AUTHORITY OVER TIME. GL SERIES PIANOS ARE BUILT WITH REMARKABLE STRENGTH TO THRIVE AMID THE RIGORS OF LONG-TERM USE.

STRETCHER OVER-LAP INTEGRATED DESIGN (SOLID)

SOLID construction creates an exceptionally rigid foundation to support string tension. First, the pinblock is fitted to the plate. Then, the pinblock and over-lapping stretcher bar are integrated into a single structure and solidly anchored to the rim. The extraordinary thickness of the stretcher bar highlights the structural integrity of this framework designed to ensure stable tuning and powerful tone.





Steel Liner

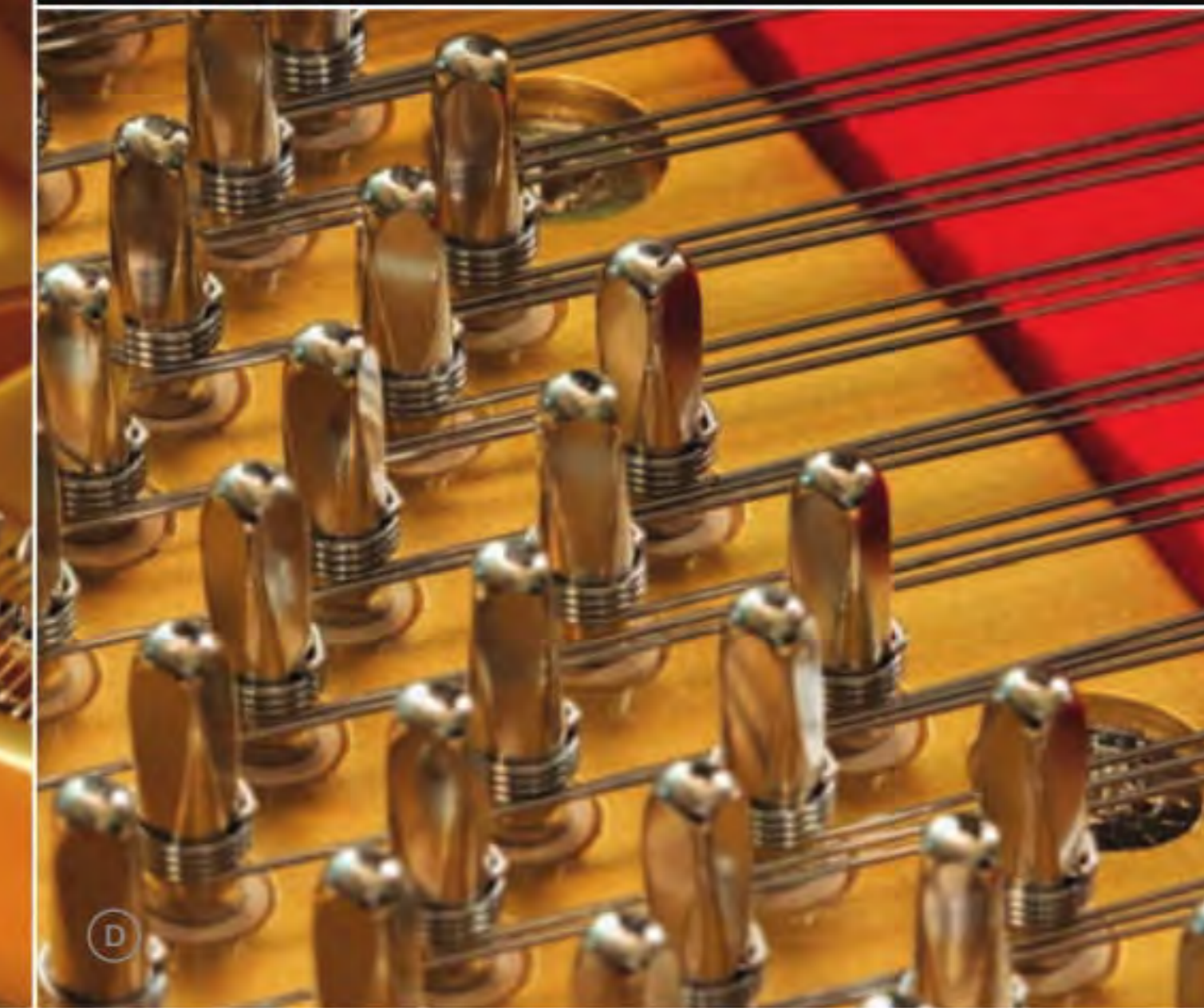
(A)



(B)



(D)



(C)

(A) STEEL-REINFORCED, ANTI-WARP KEYSLIP

A piano's keyslip is the long, horizontal piece of wood that covers the front faces of the keys. Because it is made of wood, a keyslip can warp or bend with changes in humidity, causing keys to stick. To avoid this problem, the GL Series keyslip is reinforced with a heavy-gauge steel liner that prevents warping or bending in any direction. Keys move freely with virtually no possibility of rubbing or sticking against the keyslip.

(B) STEEL-REINFORCED KEYBED

To support the weight of the action over time, the keybed is made of sturdy, laminated hardwoods and reinforced with a steel beam that adds strength and rigidity to prevent energy loss.

FOUR-WAY JOINERY

Beams are joined to the inner rim using four joinery methods. Each beam is fitted with a hardwood dowel, mortised into the rim for exact fit, glued, and secured with hardened screws. This solid bond through the entire inner rim adds rigidity that helps the piano create more energy and tone.

(C) V-PRO PLATE

The plate is the acoustically-neutral gray iron framework of the piano on which the strings are tensioned. As the "backbone" of the piano, the plate must be designed and built to ensure stability while enduring up to 18 tons of string tension. At the same time, it must be molded with sufficient precision to ensure exact string lengths. The Vacuum Mold Process (V-Pro) produces a sturdy plate that is dimensionally accurate and consistent, with added strength provided by the "crossbone" design of the plate struts. The result is a plate that is strong, stable and beautiful.

(D) PINBLOCKS AND TUNING PINS

The Multi-Grip pinblock on all GL Series grand pianos is fully laminated with a minimum of eleven cross-banded layers of North American hard maple for maximum strength and balanced torque. Tuning pins are made from the finest carbon steel, machine-threaded for maximum continuous torque and nickel plated to enhance beauty and provide long-term protection.

DETAIL

EXCELLENCE EXTENDS INTO THE DETAILS OF THE GL SERIES.
EVERY ELEMENT IS CAREFULLY CONCEIVED TO OPTIMIZE
LONG-TERM PERFORMANCE AND SATISFACTION.

Duplex Scale featured on GL-20 and larger models.



Ⓐ "SOFT FALL" CLOSING SYSTEM

The ultra-slow "Soft Fall" fallboard closing system protects hands and the piano's finish from the harm that a jarring close might cause.

Ⓓ COMPOSER'S DESK

Metal supports mounted at the back of the music desk allow the rack to be positioned at a lower angle that is ideal for composers and arrangers.

Ⓑ SOLID BRASS PEDALS

Solid brass pedals on all GL Series models are designed to provide beauty and strength that will last throughout the life of the instrument.

Ⓔ AGRAFFES

Solid brass agraffes ensure accuracy of string alignment, spacing and angles to provide greater uniformity of tone and smooth string movement for ease of tuning.

Ⓒ SOLID BRASS CASTERS

GL Series solid brass casters are as sturdy as they are attractive. GL-40 and GL-50 casters are built slightly larger to support the weight of larger pianos.

Ⓕ TEN YEAR FULL WARRANTY

Our Ten Year Fully Transferable Warranty is the seal of Kawai craftsmanship and the assurance of your satisfaction for many years to come.

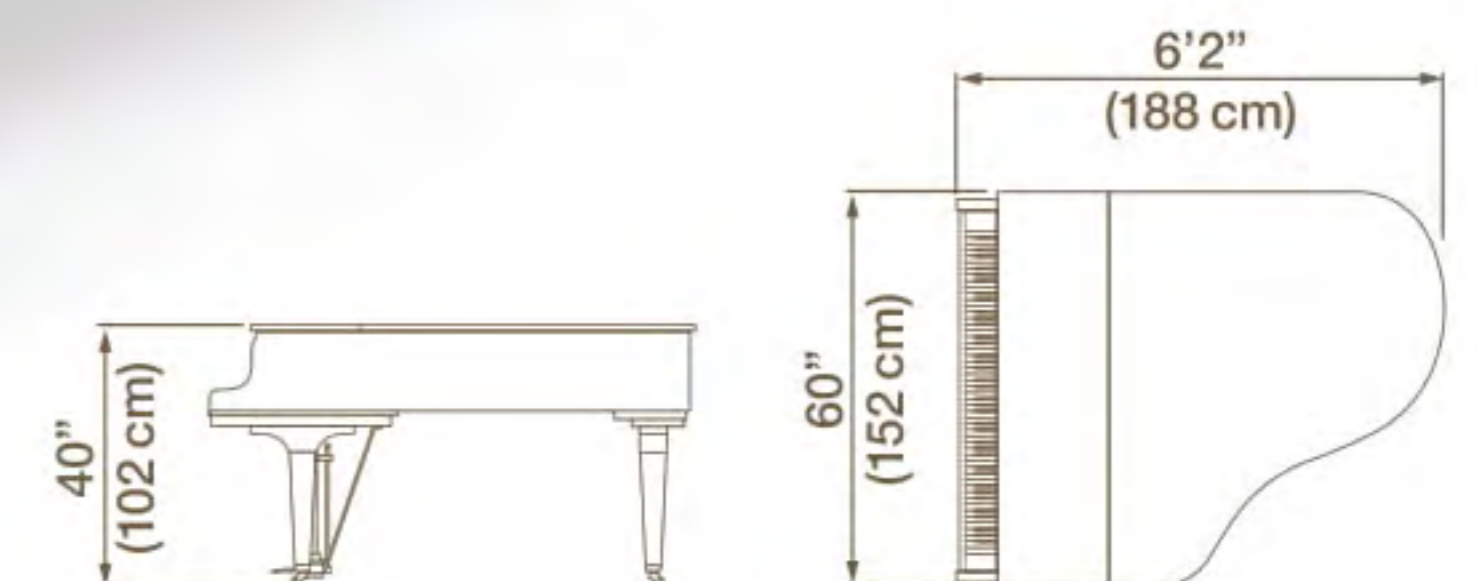
GL-50

A favorite among educators, the 6'2" GL-50 is a versatile instrument that adapts easily to the musical demands of classrooms, studios and smaller performance venues.



AVAILABLE FINISHES:

■ Polished Ebony



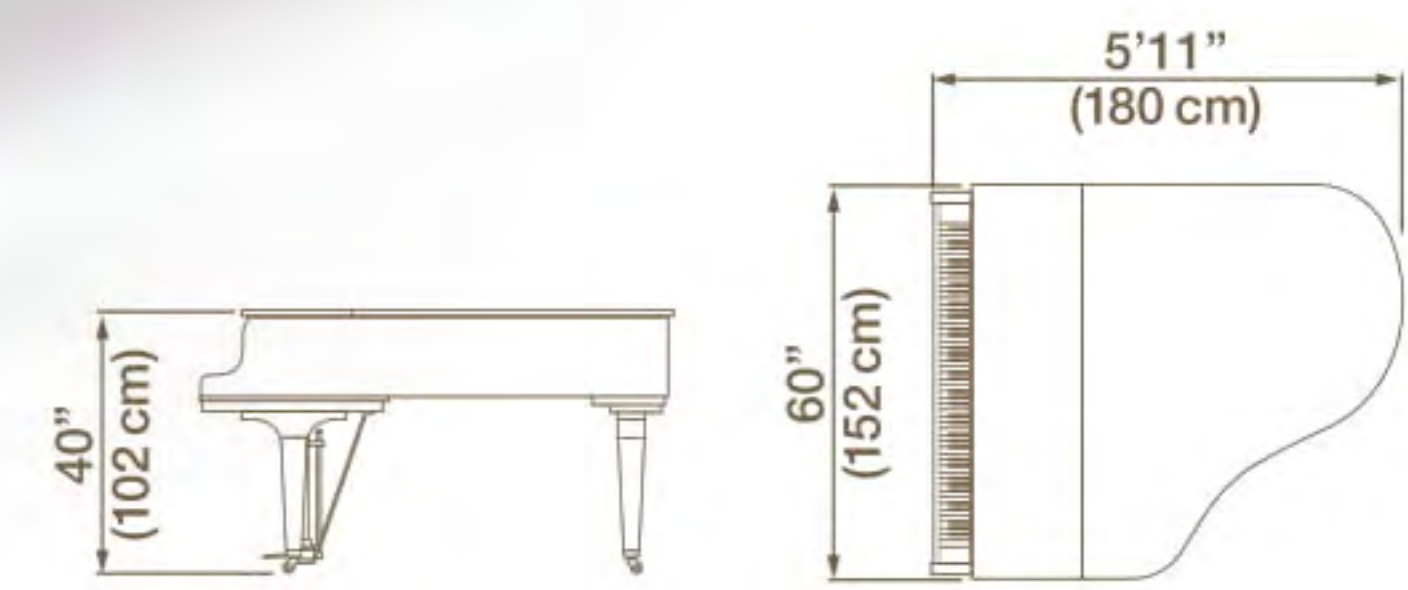
GL-40

Designed in our most popular "classic grand" size, the 5'11" GL-40 is longer than many pianos in its class to provide greater bass resonance and enhanced tonal presence.



AVAILABLE FINISHES:

- Polished Ebony
- Polished Brown Sapeli Mahogany
- Satin Ebony
- Satin Dark Walnut



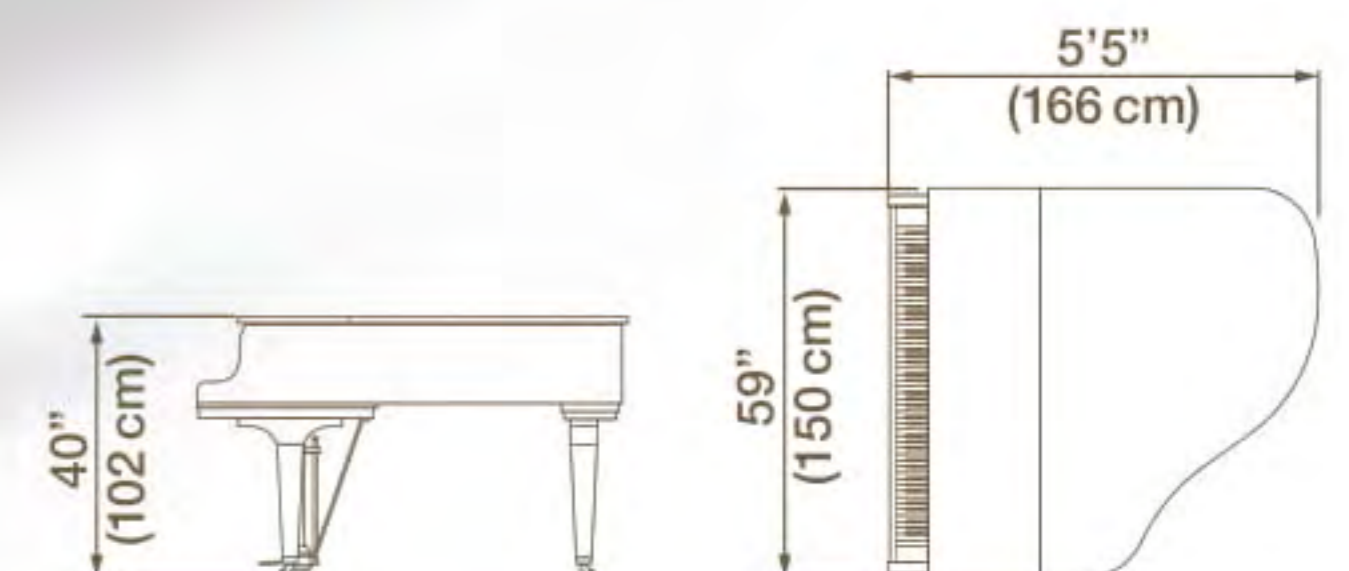
GL-30

The 5'5" GL-30 produces the same rich, full-bodied tonal character of a larger classic grand in a flexible size that will grace any home or studio environment.



AVAILABLE FINISHES:

-  Polished Ebony
-  Satin Ebony
-  Polished Snow White
-  Polished Brown Sapeli Mahogany
-  Satin Dark Walnut







GL-20

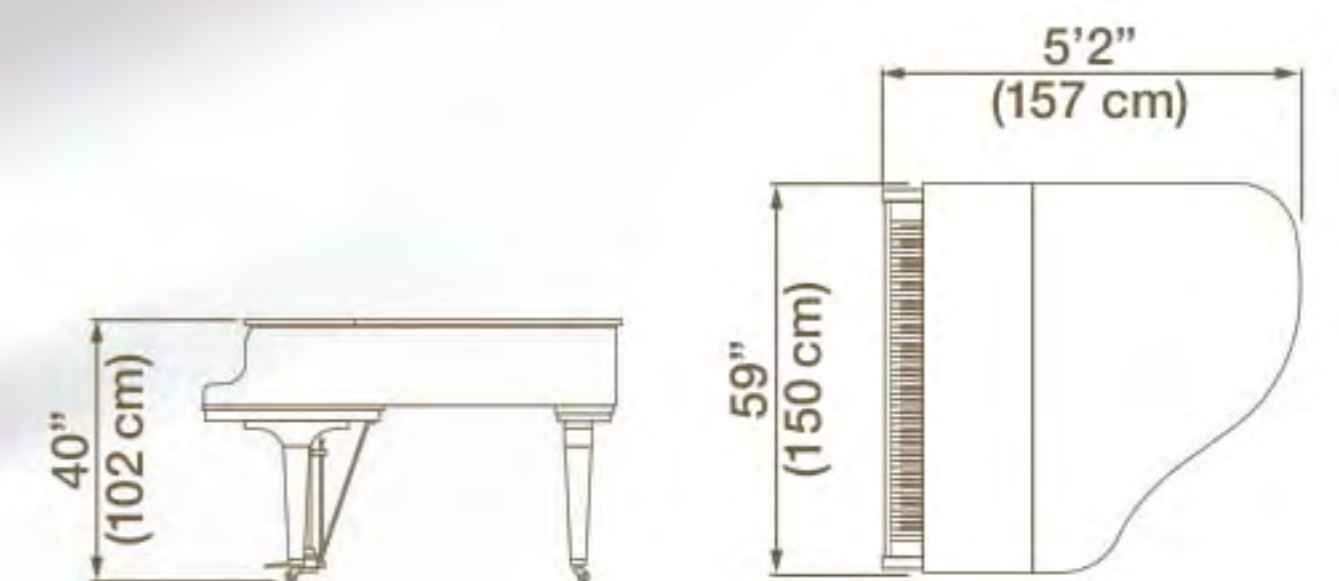
The 5'2" GL-20 provides maximum performance with a minimum footprint. With advanced GL Series features, it will surely surpass all expectations for a piano of its size.



AVAILABLE FINISHES:

-  Polished Ebony
-  Satin Ebony

-  Polished Snow White
-  Polished Brown Sapeli Mahogany



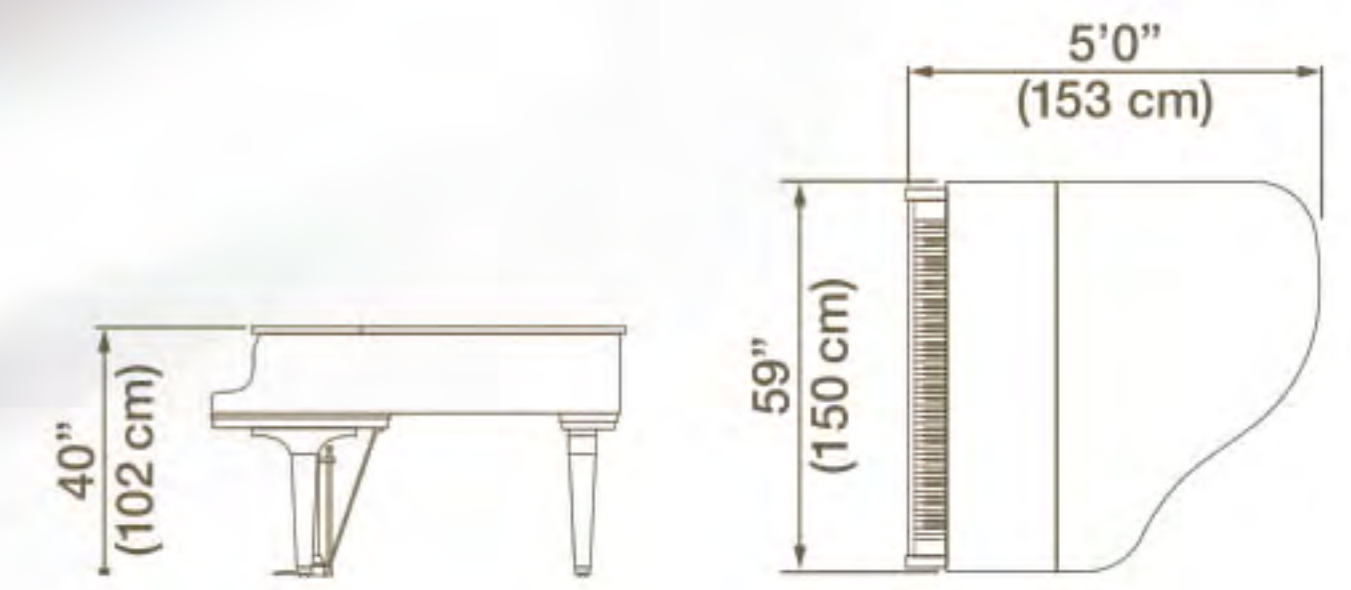
GL-10

The 5'0" GL-10 offers the same careful attention to detail and quality found in our larger pianos—with a classic “baby grand” profile that will adapt to most any room.



AVAILABLE FINISHES:

- Polished Ebony
- Satin Ebony
- Polished Snow White
- Polished Mahogany
- French Polished Mahogany



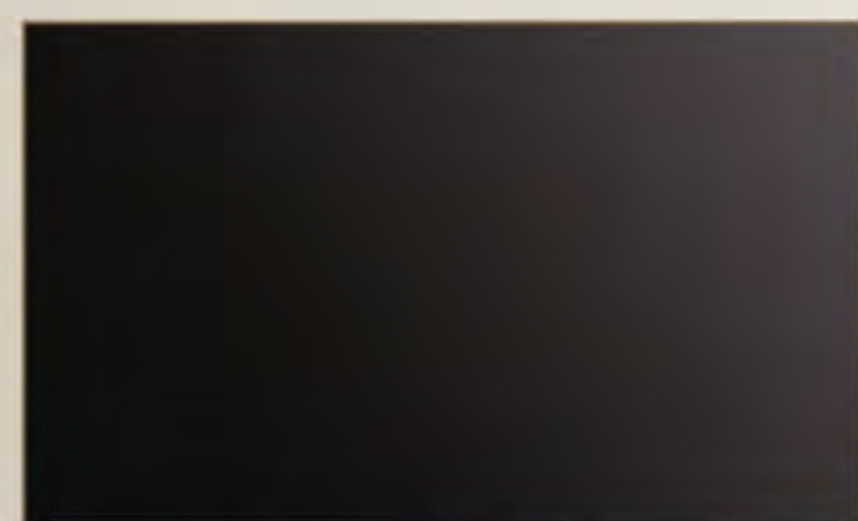
GL SERIES SPECIFICATIONS

		GL-50	GL-40	GL-30	GL-20	GL-10
SIZE	Length	6'2" (188 cm)	5'11" (180 cm)	5'5" (166 cm)	5'2" (157 cm)	5'0" (153 cm)
	Width	60" (152 cm)	60" (152 cm)	59" (150 cm)	59" (150 cm)	59" (150 cm)
	Height	40" (102 cm)	40" (102 cm)	40" (102 cm)	40" (102 cm)	40" (102 cm)
	Weight	736 lbs (334 kg)	714 lbs (324 kg)	688 lbs (312 kg)	661 lbs (300 kg)	622 lbs (282 kg)
SOUNDBOARD		Tapered Solid Spruce	Tapered Solid Spruce	Tapered Solid Spruce	Tapered Solid Spruce	Tapered Solid Spruce
BEAMS		4	3	3	3	2
HAMMERS	Material	Maple	Maple	Maple	Maple	Maple
	Felting	Underfelted	Underfelted	Underfelted	Underfelted	Underfelted
SCALE		Full Duplex	Full Duplex	Full Duplex	Full Duplex	-
AGRAFFES		1st-54th Key	1st-54th Key	1st-46th Key	1st-46th Key	1st-46th Key
CENTER PEDAL		Sostenuto	Sostenuto	Sostenuto	Sostenuto	Sostenuto
LID PROPS		3	3	2	2	2
FALLBOARD LOCK		Yes	Yes	No	No	No
CASTERS		Solid Brass	Solid Brass	Solid Brass	Solid Brass	Solid Brass

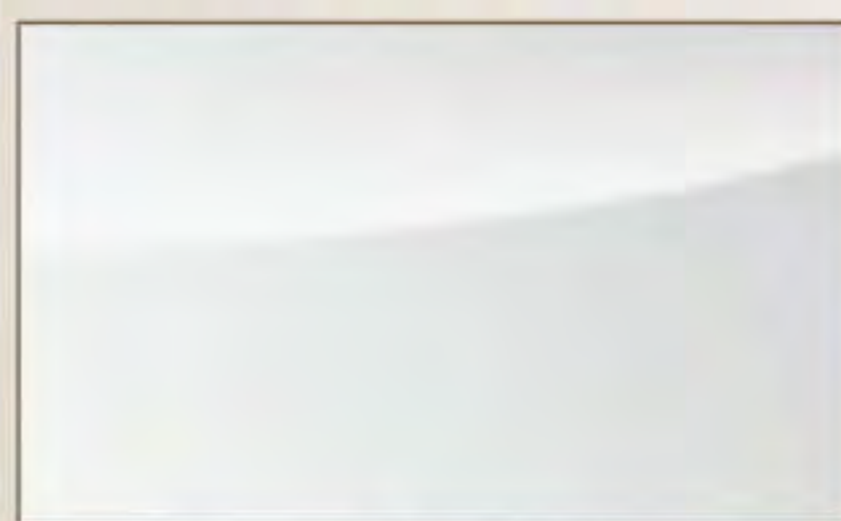
AVAILABLE FINISHES VARY BY MODEL



Polished Ebony



Satin Ebony



Polished Snow White



Polished Mahogany



Polished Brown
Sapeli Mahogany



Satin Dark Walnut

Specifications subject to change without notice.

CARING FOR OUR WORLD

IN 1997, KAWAI'S RYUYO GRAND PIANO FACTORY BECAME THE FIRST IN THE PIANO INDUSTRY TO RECEIVE ISO14001, THE WORLD'S MOST PRESTIGIOUS CERTIFICATION FOR EXCELLENCE IN ENVIRONMENTAL MANAGEMENT.



At Ryuyo, work groups continuously monitor and improve emissions and waste control, green procurement, and a host of other energy conservation and environmental protection measures. The Kawai Forest Project has already planted over 350,000 seedlings with a goal to have over 500,000 new trees planted by the end of the decade. These vital efforts will continue to be a part of every piano we build. That is our promise to you—and to our world.

A FAMILY TRADITION

THERE IS NO MORE COMPELLING REASON TO BUILD AN EXCEPTIONAL PIANO THAN HAVING ONE'S OWN NAME ON IT. FOR THREE GENERATIONS, THE KAWAI FAMILY HAS BLENDED KNOWLEDGE, SKILL, TECHNOLOGY AND HEART IN THE QUEST TO PERFECT THE ART OF THE PIANO.



KOICHI KAWAI
(1886-1955)
Founder, Inventor,
Master Builder.



SHIGERU KAWAI
(1922-2006)
Pursued excellence at
Kawai for over fifty years.



HIROTAKA KAWAI
President
Continuing the pursuit
of perfection.



AN AWARD-WINNING HISTORY

OVER THE PAST TWO DECADES, KAWAI HAS BECOME ONE OF THE MOST CELEBRATED COMPANIES IN THE GLOBAL MUSIC PRODUCTS INDUSTRY HAVING RECEIVED OVER 40 MAJOR INTERNATIONAL AWARDS FOR PRODUCT AND SERVICE EXCELLENCE.

2015

Tastenwelt Magazine "Best Compact Piano"
(ES7 Portable Digital)

2014

Music Inc. Supplier Excellence Award
(Exceptional Products and People)

Music Inc. Product Excellence Award
(CN Series Digital Pianos)

MMR Digital Home Keyboard of the Year
(CN Series Digital Pianos)

MMR Pro Digital Piano Line of the Year
(MP Series Pro Digital Pianos)

Tastenwelt Magazine
"Best Home Digital under 1500 Euros"
(CN34 Digital)

Music Inc. Editor's Choice:
NAMM "Best in Show"
(CS10 Hybrid Digital)

"Rock oN" Company (Japan) Silver Prize
(VPC-1 Professional Controller)

2013

Music Inc. Supplier Excellence Award
(Exceptional Products and People)

MMR Digital Home Keyboard of the Year
(CA95 Digital Piano)

Worship Leader Magazine
"Editor's Pick"
(CS7 Digital Piano)

2012

Music Inc. Supplier Excellence Award
(Exceptional Products and People)

MMR Digital Home Keyboard of the Year
(CA95 Digital Piano)

Music Inc. Product Excellence Award
(CA95 Digital Piano)

Japan Institute of Design Promotion
Good Design Award (CA95 Digital)

Diapason d'Or Award, Diapason Magazine
(CA95 Digital Piano)

2011

MMR Acoustic Piano of the Year
(K-3 Professional Upright Piano)

2010

MMR Acoustic Piano of the Year
(K-3 Professional Upright Piano)

Music Inc. Product Excellence Award
(CA93 Digital Piano)

Japan Institute of Design Promotion
Good Design Award (CA93 Digital Piano)

2009

MMR Acoustic Piano of the Year
(K-3 Professional Upright Piano)

Music Inc. Supplier Excellence Award
(Web Site Design)

2008

MMR Acoustic Piano of the Year
(K-3 Professional Upright Piano)

Worship Leader Magazine "Best of the Best"
(CA51 Digital Piano)

Japan Institute of Design Promotion
Good Design Award
(MP8II Digital)

2007

MMR Digital Home Keyboard of the Year
(CA91 Digital Piano)

2005

MMR Acoustic Piano Line of the Year
(RX Series Grand Pianos)

2004

MMR Acoustic Piano Line of the Year
(RX Series Grand Pianos)

2003

MMR Acoustic Piano Line of the Year
(RX Series Grand Pianos)

Tastenwelt Magazine (Europe)
"Readers Choice Award"
(MP9500 Digital)

Music Inc. Supplier Excellence Award
(Product Innovation)

2002

MMR Digital Home Keyboard of the Year
(CN270 Digital Piano)

2001

MMR Digital Keyboard of the Year
(ES1 Portable Digital Piano)

German Music Assoc.
"Electronic Product of the Year"
(ES1 Portable)

2000

MMR Digital Keyboard of the Year
(CP200 Ensemble Grand Piano)

Japan Institute of Design Promotion
Good Design Award
(ES1 Portable Digital)

Keyboard Magazine "Key Buy"
(MP9000 Stage Piano)

Musicmesse Int'l Press Award
(MP9000 Stage Piano)

1999

Best in Class, Keyboard Magazine (Europe)
(CA750 Digital Piano)

1998

Top Digital Piano, SOLO Magazine (Germany)
(CA750 Digital Piano)

A detailed, close-up photograph of a piano's action mechanism, showing the intricate arrangement of hammers, flippers, and repetition flippers. The image is overlaid with a semi-transparent, light-colored filter. The Kawai logo and tagline are centered over the image.

KAWAI

THE FUTURE OF THE PIANO

www.kawaius.com

© 2015 / Printed in USA / GLPAK-8115