



PEAK PERFORMANCE

THOSE WHO STRIVE FOR EXTRAORDINARY RESULTS NEED EXTRAORDINARY TOOLS. THE SKILLED PIANIST REQUIRES AN INSTRUMENT POSSESSING BOTH THE CAPABILITY AND CHARACTER TO INSPIRE UNCOMMON ARTISTRY. FOR THOSE WHO ASPIRE TO THE HIGHEST LEVEL, WE PRESENT THE **GX BLAK PERFORMANCE SERIES GRAND PIANOS.**

THE WORLD'S MOST ADVANCED PIANOS

FOR OVER 85 YEARS, KAWAI HAS BEEN THE ARCHITECT OF THE MODERN PIANO BOLDLY PIONEERING THE USE OF STATE-OF-THE-ART MATERIALS AND IDEAS TO ADVANCE THE PIANO ART FORM. BUILDING UPON DECADES OF EXPERIENCE AND TRADITION, OUR CELEBRATED TECHNOLOGY DELIVERS EXTRAORDINARY TOUCH AND TONE THAT PRODUCES LASTING ENJOYMENT AND PEAK PERFORMANCE.

MAJOR KAWAI TECHNOLOGY
ADVANCEMENTS:

1965

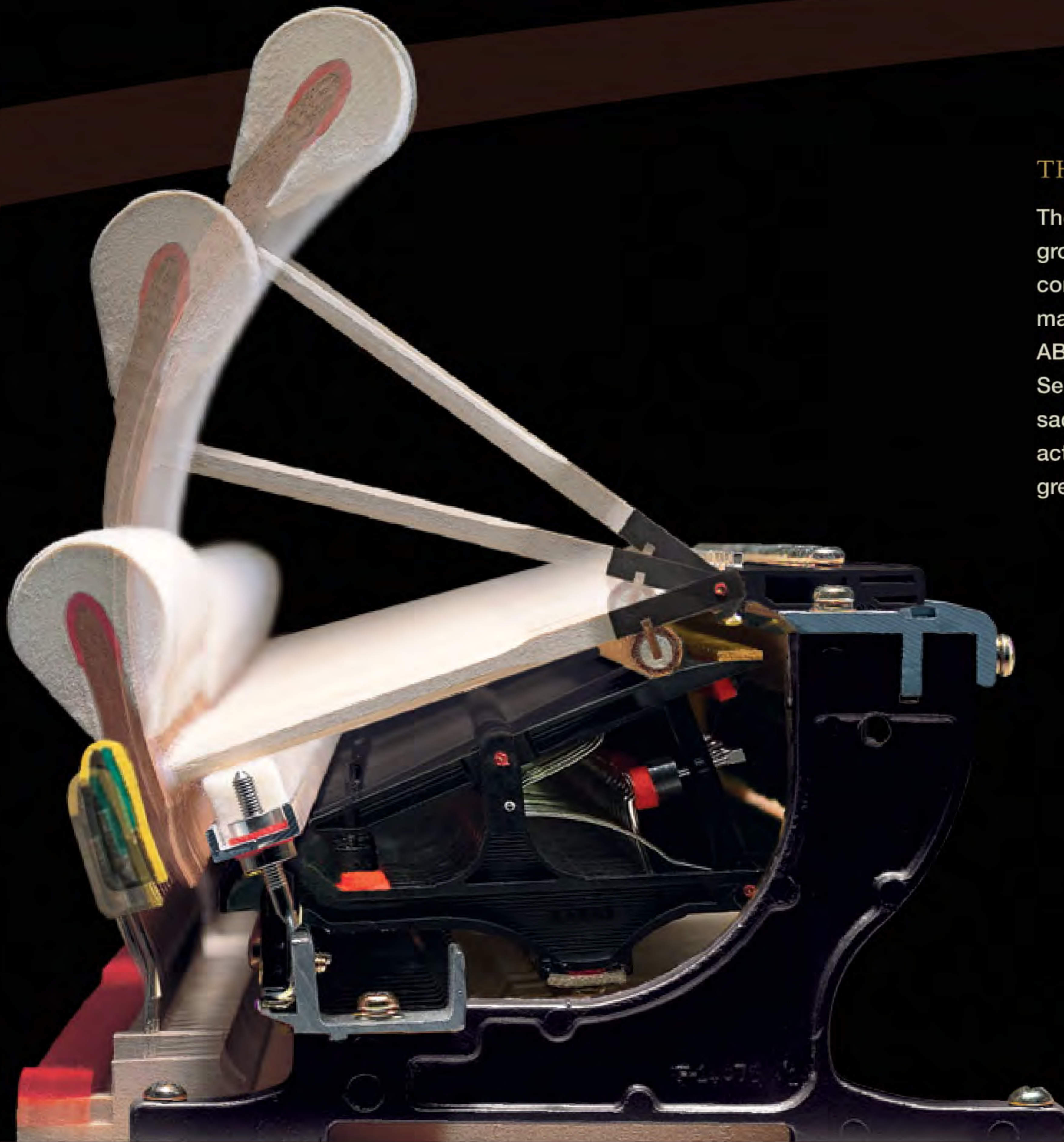
Kawai introduces action
rails made of aluminum

1970

ABS Styran is first used in
Kawai upright piano actions

1975

ABS Styran is utilized in
Kawai grand piano actions



THE MILLENNIUM III ACTION

The centerpiece of Kawai technology is our ground-breaking Millennium III Action featuring components made of ABS-Carbon—a composite material infused with carbon fiber. Because ABS-Carbon is incredibly strong and rigid, GX Series action parts can be made lighter without sacrificing strength. The result is a stronger, faster action that offers more power, better control and greater stability than conventional all-wood actions.

1980

Introduction of die-cast aluminum action brackets

1984

Exclusive Carbon Jack introduced in grand piano actions

1996

ABS Styran used for full wippen assembly, hammer flange and damper action

2004

Kawai introduces Millennium III Action with ABS-Carbon

ARTISTRY

GX BLAK SERIES PIANOS ARE ENDOWED WITH IMPORTANT ENHANCEMENTS THAT ELEVATE PERFORMANCE AND OPTIMIZE TOUCH AND TONE. TOGETHER, THESE ATTRIBUTES EXPAND THE RANGE OF ARTISTIC POSSIBILITIES AND HELP TO EXPLAIN WHY THE GX BLAK SERIES INSTRUMENTS ARE COUNTED AMONG THE FINEST PIANOS IN THE WORLD.





Ⓐ NEOTEX™ KEY SURFACES

Our exclusive NEOTEX key surface material made with cellulose fiber offers the smooth, understated texture of natural ivory and ebony. Its semi-porous, silica-filled surface absorbs the hand's natural oils and perspiration that can cause slipping. NEOTEX resists cracking and fading over years of use and is used for both the sharps and the naturals for a consistent feel across the entire keyboard.



Ⓑ MAHOGANY HAMMER MOULDINGS

Mahogany is a preferred choice for crafting the highest quality hammers due to its light weight and high strength-to-weight ratio. Mahogany hammers produce a lighter, faster keystroke and release from the strings faster, leaving more energy in the strings for increased tone production. GX BLAK Series models are the only Kawai grand pianos featuring mahogany hammer mouldings.



Ⓒ LONGER KEYS AND KEY BUTTONS

The spruce keys on the GX Series are designed with extended length to make playing easier and provide a more even response from the front to the back of the playing surface. A slightly taller profile and concert-length maple key buttons make the keysticks more rigid to provide exceptional energy transfer and optimum power.

THE POWER OF PIANISSIMO

One of the most coveted attributes of a fine piano is dynamic range—the ability to play not only thundering fortissimos, but also the most delicate and sensitive pianissimos. The technological superiority of the Millennium III Action is most evident in its extraordinary ability to produce the perfect pianissimo. It is ironic that GX Series technology speaks loudest when it whispers.

STONE

TRADITION AND TECHNOLOGY ARE INDISPENSABLE ELEMENTS OF PIANO TONE. TRADITION LAYS THE FOUNDATION FOR OUR DISTINCTIVE TONAL CHARACTER. TECHNOLOGY EMPOWERS IT WITH LIFE, BREADTH, AND DEPTH THAT LASTS FROM GENERATION TO GENERATION.





(A) THE CORE SYSTEM

CORE is an acronym that represents “Convergence for Optimum Reflected Energy.” Convergence refers to the way the piano’s strength centers—the rim, plate and underside beams—all focus on one central point at the heart of the instrument. This focus creates an incredibly strong “core” foundation that maximizes the reflective capabilities of the inner rim for outstanding tonal power and sustain. The CORE System is found on all six models of the GX BLAK Series.

(B) KONSEI KATAGI RIM

(kōn'-say kah-tah'-gē)
 Found only on the GX BLAK Series, the exclusive Konsei Katagi rim uses a blend of distinctive hardwoods to achieve an ideal balance of tone. For the inner rim, small-pore hardwoods that provide superior brightness and projection are interlaminated with dense, large-pore hardwoods offering warmth and fullness. This synergy of structurally divergent hardwoods produces a powerful, well-rounded richness of tone that is a hallmark of the GX BLAK Series.

(C) TAPERED SOUNDBOARDS MADE OF SOLID SPRUCE

The soundboard is the heart of a piano. Its purpose is to transform the vibrations of the piano’s strings into a rich, resounding tone. Kawai uses only straight-grained, quarter-sawn solid spruce for GX BLAK Series soundboards. Each one is strategically tapered to provide the proper degree of resonant movement in each region. Only soundboards that meet or exceed our demanding resonance standards are selected for use in the GX BLAK Series grand pianos.

(D) VERTICALLY LAMINATED TREBLE BRIDGES

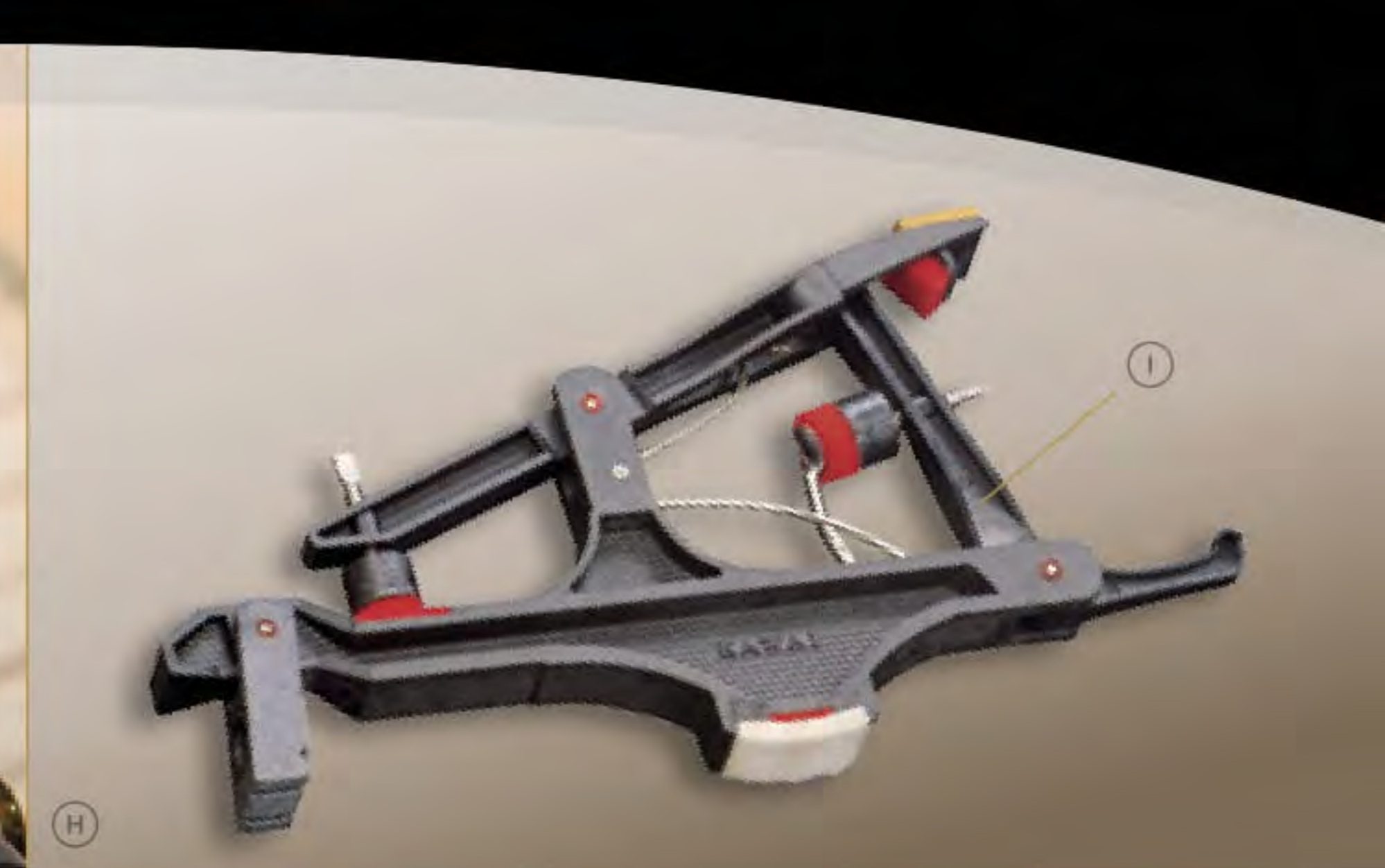
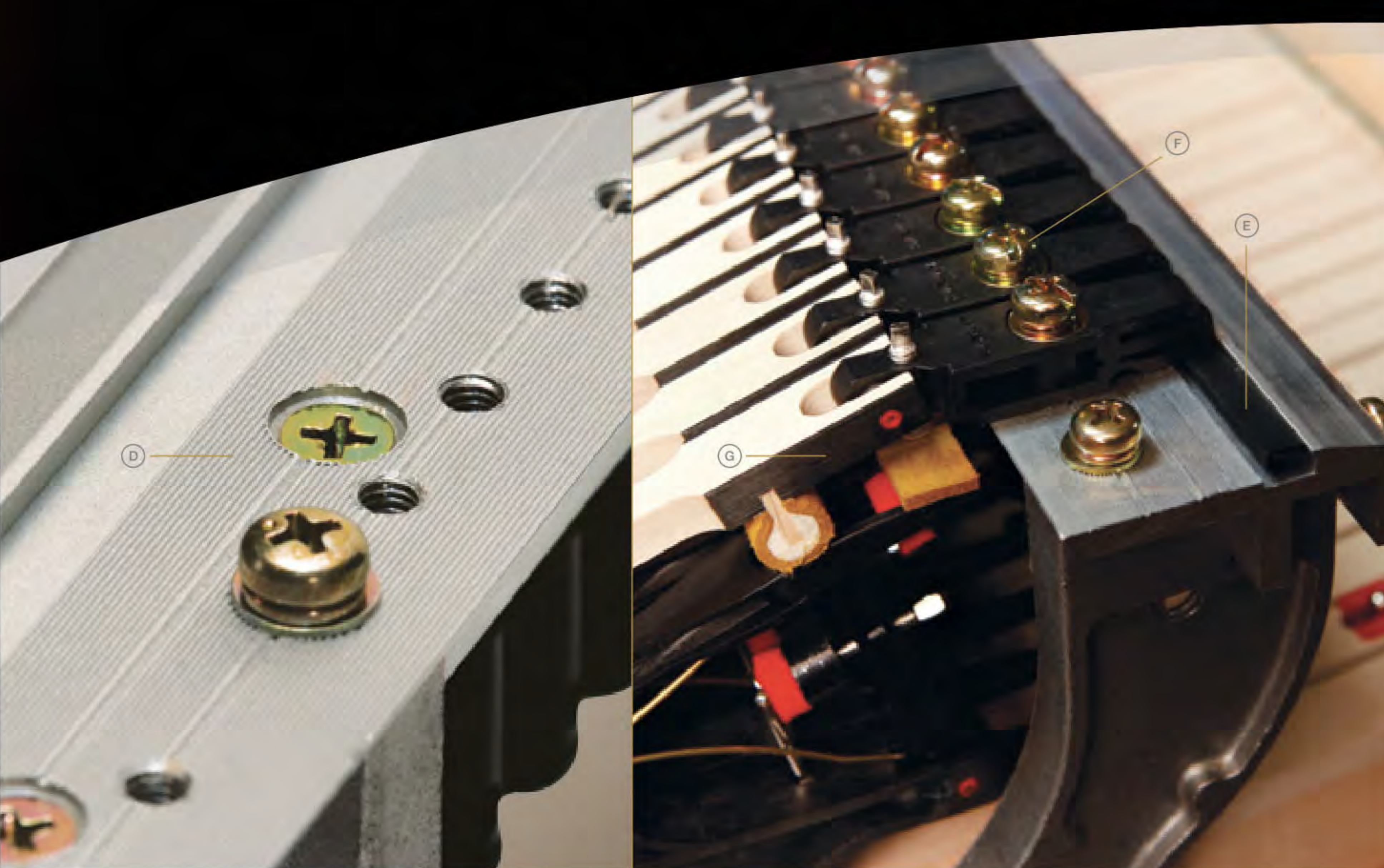
Among Kawai grands, only the GX BLAK Series features treble bridges that are vertically laminated with 13 layers of maple and mahogany for maximum strength and optimal transfer of sound energy and tone from the strings to the soundboard. GX bass bridges are made of the highest quality hard maple or beech. The GX-6 and GX-7 feature a single, continuous vertically laminated bridge that helps to smooth the transition between bass and treble registers.

PRECISION

THE EXCLUSIVE TECHNOLOGY IN OUR REVOLUTIONARY MILLENNIUM III ACTION CREATES LONG-TERM PRECISION THAT PRODUCES THE MOST STABLE TOUCH AND TONE IN THE PIANO INDUSTRY. YOU WILL SENSE AND APPRECIATE ITS CONSISTENCY WITH EVERY KEYSTROKE.



- Ⓐ **DIE-CAST ALUMINUM ACTION BRACKETS**
Made from a custom mold, die-cast parts are formed exactly the same every time. The GX BLAK Series grand pianos feature a minimum of five aluminum action brackets that are die-cast to provide an added measure of strength and uniform stability for accurate touch over time.
- Ⓑ **PERMANENTLY LOCKED RAILS**
Both the hammer rail and the wippen rail are permanently locked in place to preserve the exacting tolerances of the action design and ensure consistent touch over the life of the piano.
- Ⓒ **DUAL-BEAM ALUMINUM HAMMER RAIL**
The hammer rail is the “spine” of the piano’s action. GX BLAK Series hammer rails are made of durable extruded aluminum with our exclusive Dual-Beam design for strength and stability.



ⓓ SERRATED RAIL SURFACE

The entire surface of the hammer rail is finely serrated to hold hammer flanges securely in place for optimum hammer alignment and a more precise hammer strike.

ⓔ INSULINER

The Insuliner stretches across the full length of the hammer rail. It absorbs excess vibrations to reduce action noise and seats the hammer flanges in place to preserve optimum hammer alignment.

ⓕ MACHINE THREAD ACTION SCREWS

Finely-threaded machine screws fasten more securely to the rail than the conventional self-tapping sheet metal screws used by other piano makers. Lock washers and pre-threaded rails further ensure that screws stay tightly fastened and hammers remain properly aligned for long-term precision.

ⓖ PHENOLIC STABILIZERS

GL Series hammer shanks are reinforced on both sides with strong, rigid phenolic material. Positioned at the “fork” where the hammer shank experiences the greatest torque, these stabilizers reduce flex and side-to-side movement that can diminish the accuracy of the hammer strike.

ⓓ ABS-CARBON ACTION PARTS

ABS-Carbon action parts infused with carbon fiber are many times stronger than wood and virtually impervious to shrinking and swelling due to changes in humidity. This extraordinary combination of strength and stability allows ABS-Carbon parts to transfer energy to the hammers with unparalleled efficiency, power, precision and nuance for a superb playing experience that will last over time better than any other piano.

ⓔ THE EXCLUSIVE CARBON JACK

This pivotal link between the key and the hammer is made of carbon and polyacetal rather than wood. Its superior one-piece construction and patented “Tapered Core” design make the Carbon Jack stronger and more reliable than any conventional wooden jack. The microscopic surface texture at the point where it meets the hammer dramatically increases control during pianissimo passages. Because it is virtually indestructible, does not warp due to humidity, and requires no lubrication, the Carbon Jack is an essential element of stable, consistent touch.

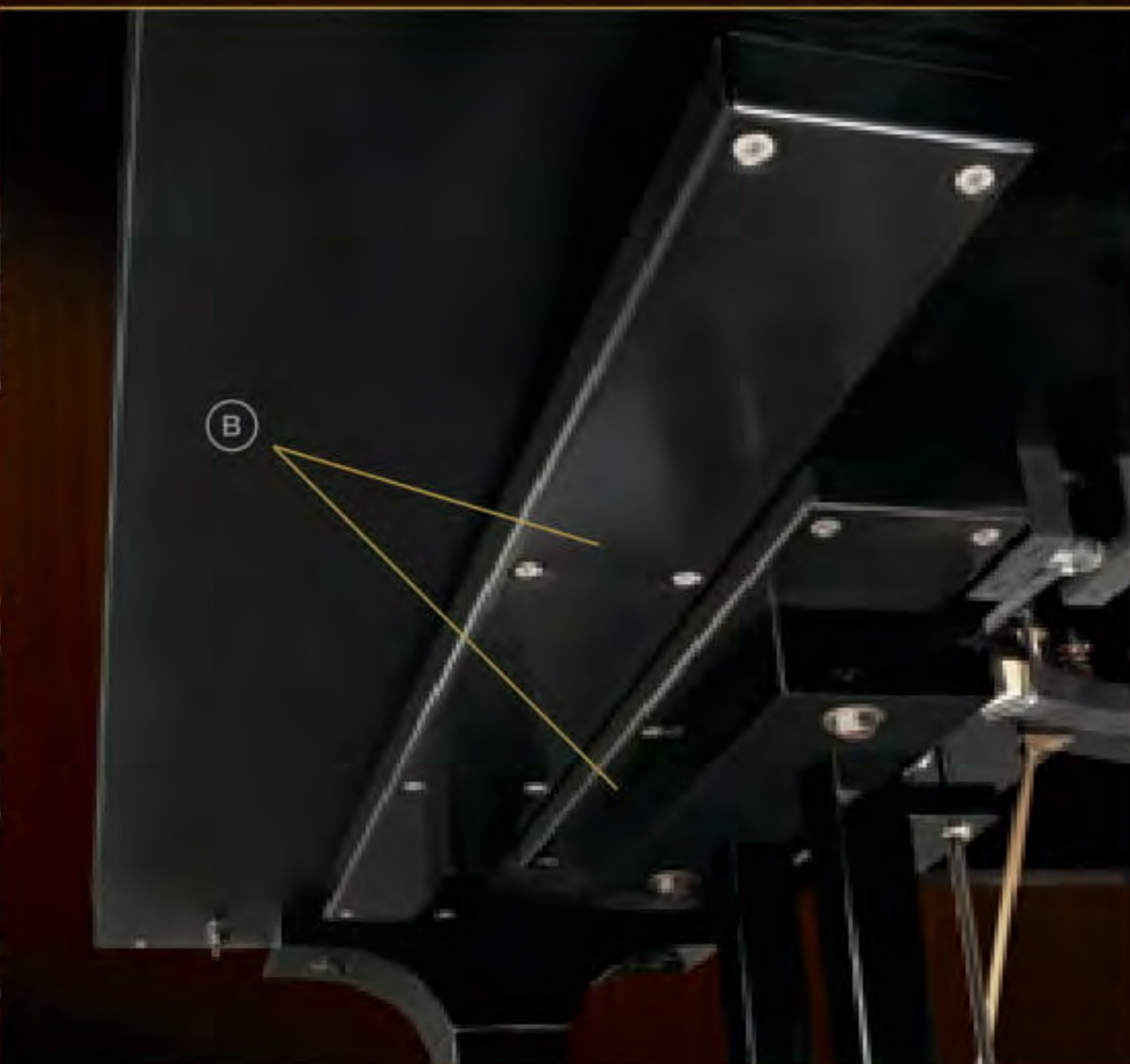
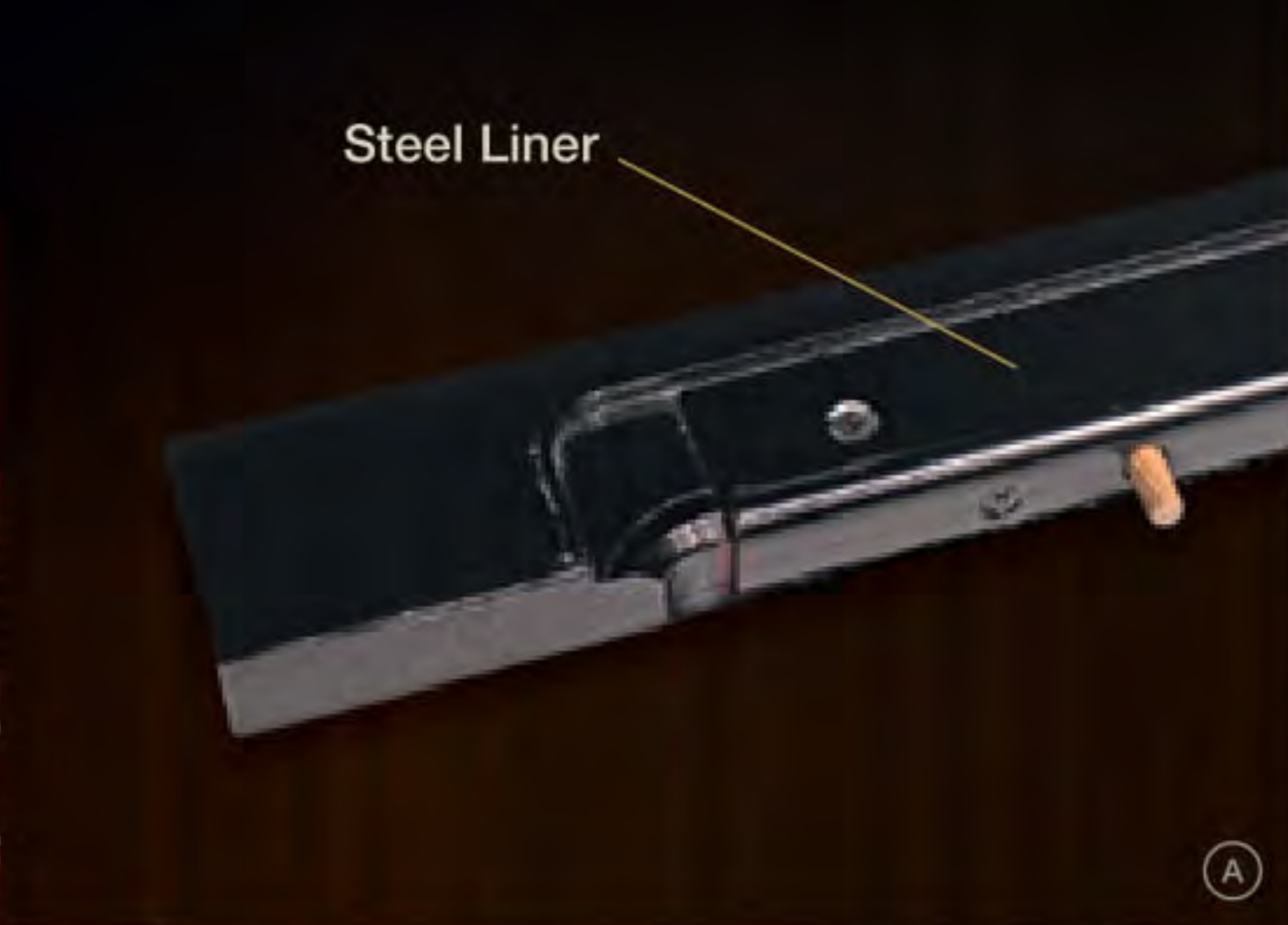
STRENGTH

THE STRENGTH OF A WELL-CRAFTED INSTRUMENT MAKES THE PIANO ONE OF THE MOST IMPRESSIVE EXAMPLES OF TECHNOLOGY, ENGINEERING AND CRAFTSMANSHIP IN THE WORLD TODAY. GX BLAK SERIES GRAND PIANOS ARE DESIGNED WITH TREMENDOUS STRENGTH TO ENSURE STABILITY OF TONE AND TOUCH OVER TIME.

STRETCHER OVER-LAP INTEGRATED DESIGN (SOLID)

SOLID construction creates an exceptionally rigid foundation to support string tension. First, the pinblock is fitted to the plate. Then, the pinblock and over-lapping stretcher bar are integrated into a single structure and solidly anchored to the rim. The extraordinary thickness of the stretcher bar exemplifies the structural integrity of this sturdy framework designed to ensure stable tuning and powerful tone.





Ⓐ STEEL-REINFORCED, ANTI-WARP KEYSLIP

A piano's keyslip is the long, horizontal piece of wood that covers the front faces of the keys. Because it is made of wood, a keyslip can warp or bend with changes in humidity, causing keys to stick. To avoid this problem, the GX BLAK Series keyslip is reinforced with a heavy-gauge steel liner that prevents warping or bending in any direction. Keys move freely with virtually no possibility of rubbing or sticking against the inside of the keyslip.

Ⓑ DUAL STEEL-REINFORCED KEYBED

The piano's keybed must be strong and stable to support the weight of the entire action assembly over time. The GX BLAK Series keybed is reinforced with two steel support beams that add strength and increase rigidity to reflect sound energy toward the soundboard for increased tone.

Ⓒ V-PRO PLATE

The plate is the acoustically-neutral iron superstructure of the piano over which the strings are tensioned. All GX BLAK Series plates are molded using the Vacuum Mold Process (V-Pro) with "Crossbone Design." The result is a plate that is strong, stable and beautiful.

FOUR-WAY JOINERY

Beams are joined to the inner rim using four independent joinery techniques. Each beam is fitted with a hardwood dowel, mortised into the inner rim for precise fit, glued, and secured with hardened screws for complete bonding through the entire thickness of the inner rim. The result is a tremendously secure rim-to-beam connection.

Ⓓ PINBLOCKS AND TUNING PINS

The Multi-Grip pinblock on all GX BLAK Series grand pianos is fully laminated with a minimum of eleven cross-banded layers of North American hard maple for maximum strength and balanced torque. Tuning pins are made from the finest carbon steel, machine-threaded for maximum continuous torque and nickel plated to enhance beauty and provide long-term protection.

CHARACTER

IN THE JAPANESE LANGUAGE, THE WORD KURO (BLAK) SUGGESTS REFINEMENT AND NOBILITY. WITH REGAL TONE AND NOBLE PRESENCE, THE GX BLAK SERIES CAPTIVATES WITH REFINED CHARACTER THAT IS BOTH SEEN AND HEARD.



CONCERT STYLE LID PROP



STYLISH DESIGN ELEMENTS



SOLID BRASS APPOINTMENTS



BRASS FINIALS



HARD FINISH MUSIC RACK



BEVELED TOPBOARD



(GX-6 and GX-7 feature double brass casters)

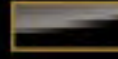
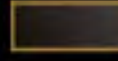
SPADE LEG & BRASS CASTERS

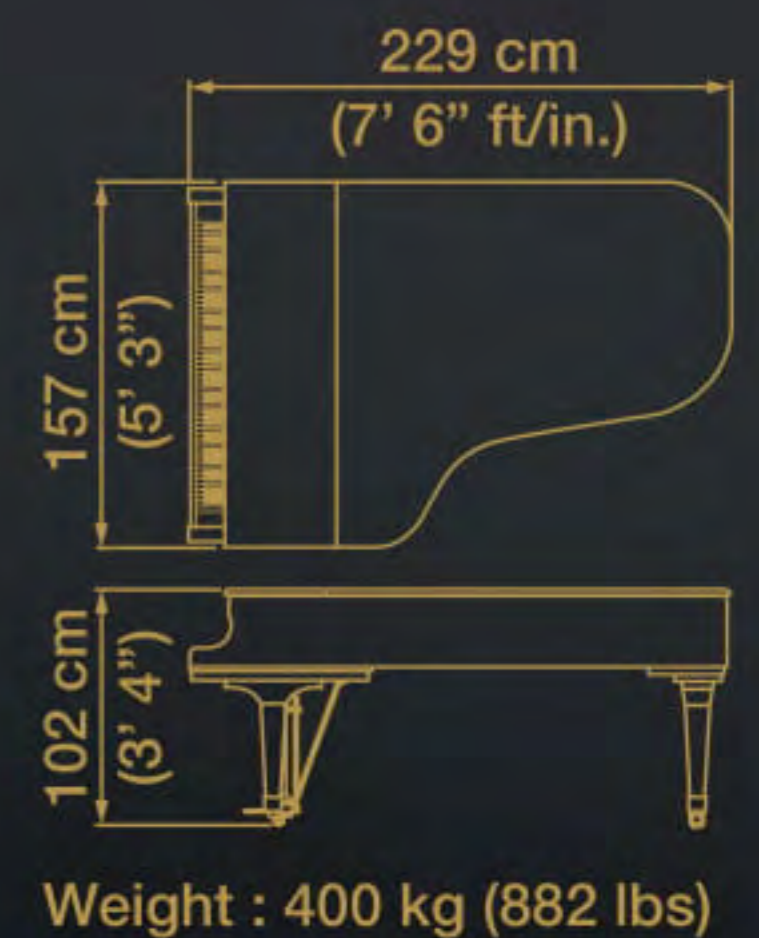
GX-7 BLAK

At the lofty pinnacle of the GX BLAK Series, the regal GX-7 speaks with the transcendent character and authority that has made it the definitive choice of the consummate professional.



AVAILABLE FINISHES:

-  Polished Ebony
-  Satin Ebony

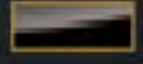
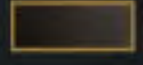


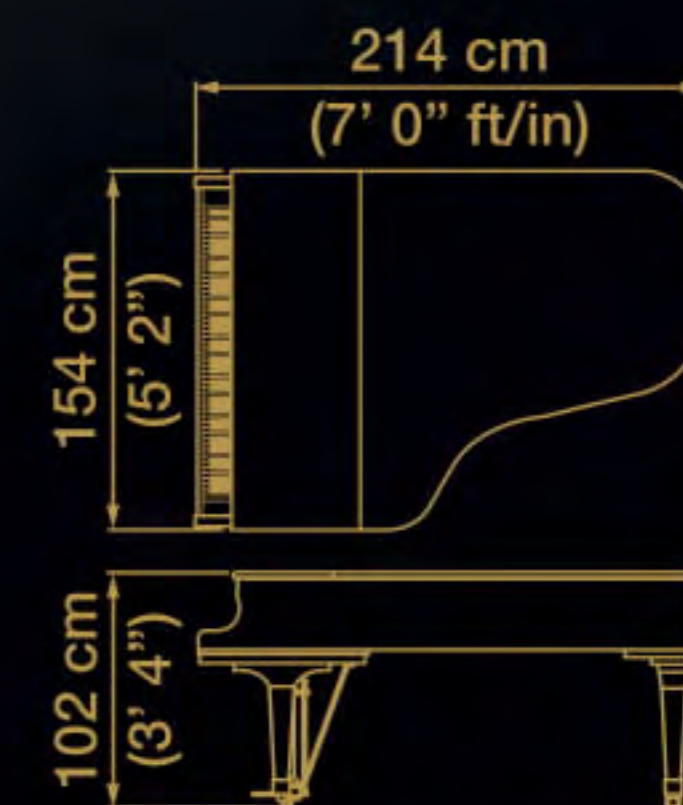
GX-6 BLAK

The GX-6 combines exquisite tone with stunning beauty to offer an instrument befitting the finest concert hall or professional studio.



AVAILABLE FINISHES:

-  Polished Ebony
-  Satin Ebony




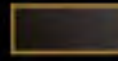
Weight : 382 kg (842 lbs)

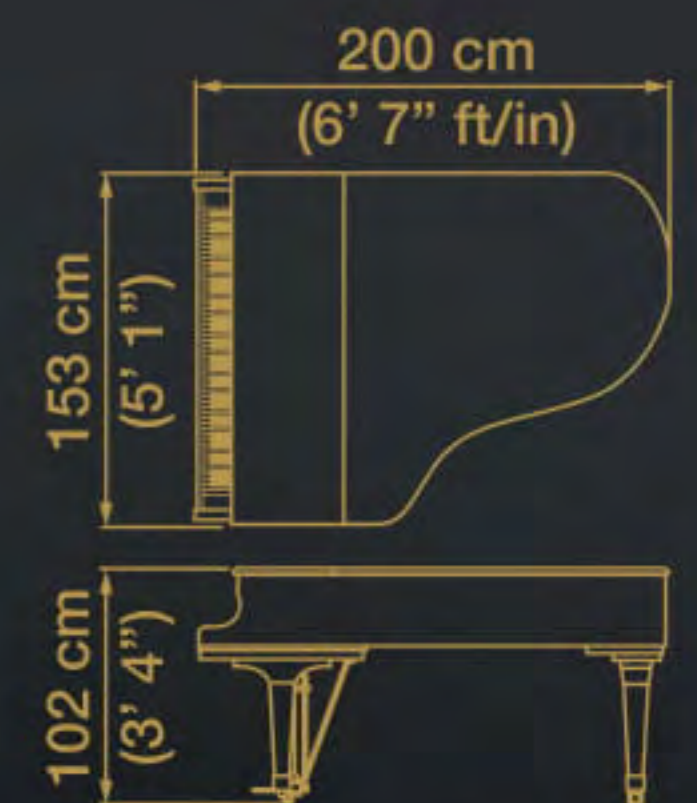
GX-5 BLAK

The GX-5 is the artist's "grand for all seasons." With resplendent tone and superb power, it adapts to an exceptional range of musical requirements and performance venues.



AVAILABLE FINISHES:

-  Polished Ebony
-  Satin Ebony




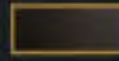
Weight : 351 kg (774 lbs)

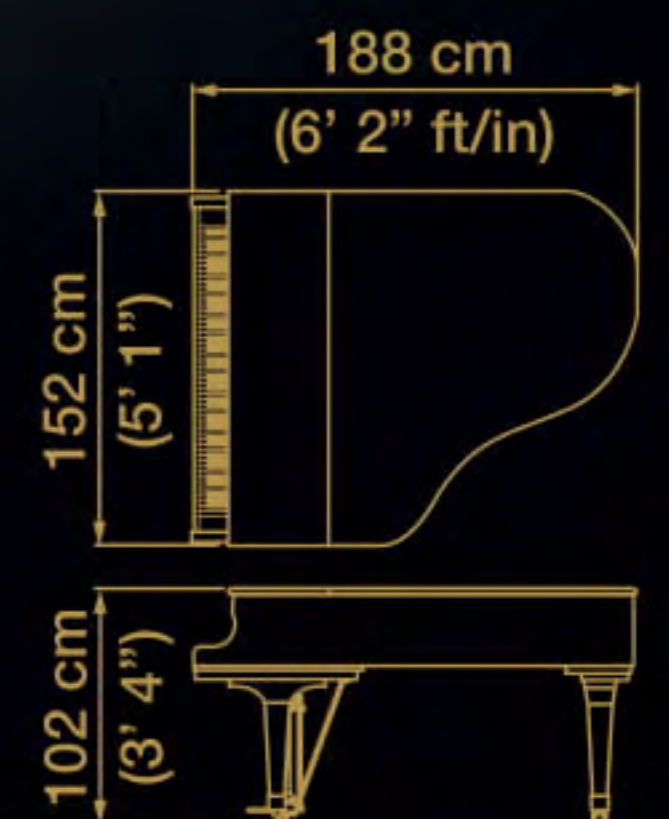
GX-3 BLAK

The GX-3 impresses with a dignified elegance evoking the qualities of a much larger grand. With outstanding tone and touch in a versatile size, it is a preferred choice of professionals.



AVAILABLE FINISHES:

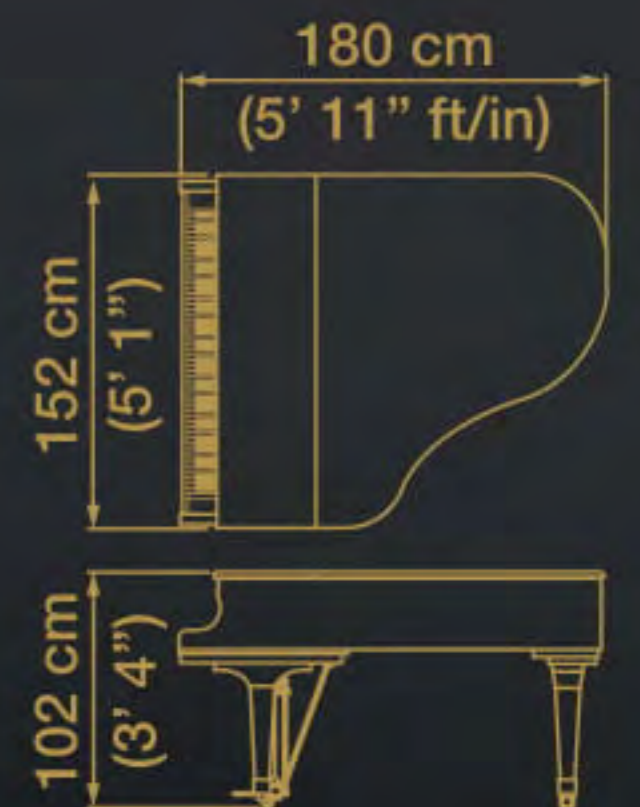
-  Polished Ebony
-  Satin Ebony



Weight: 334 kg (736 lbs)

GX-2 BLAK

The GX-2 combines the stately presence of a classic grand with an exquisite clarity of tone unmatched by other pianos in its class.



AVAILABLE FINISHES:

Polished Ebony
Satin Ebony

Polished Dark Walnut
Satin Dark Walnut

Satin Cherry
Satin Oak

Polished Brown Sapele Mahogany
Polished Snow White

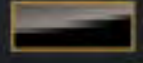
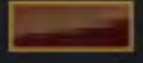
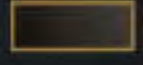

Weight: 324 kg (714 lbs)

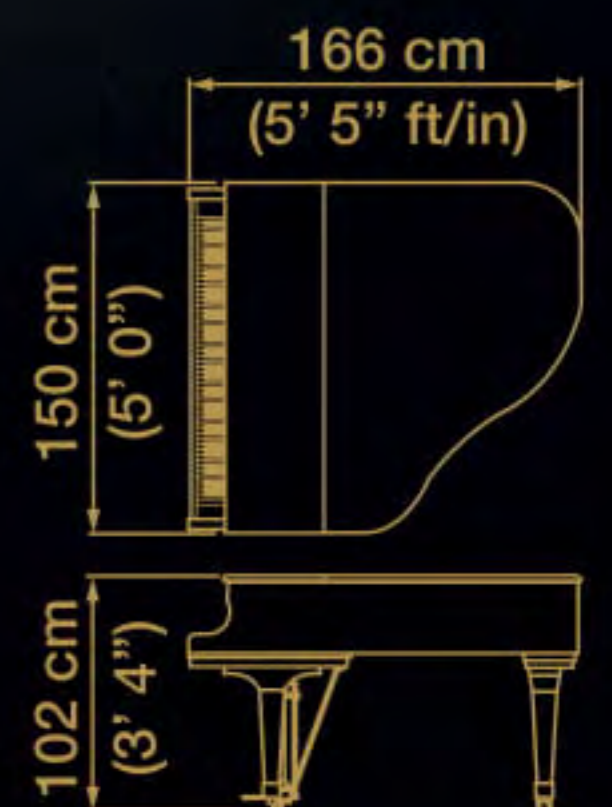
GX-1 BLAK

The GX-1 offers the professional pianist a superb range of tonal expressiveness and a level of elegance and craftsmanship that is unsurpassed for a piano of its size.



AVAILABLE FINISHES:

- | | | | |
|---|----------------|---|----------------------|
|  | Polished Ebony |  | Polished Dark Walnut |
|  | Satin Ebony |  | Polished Snow White |



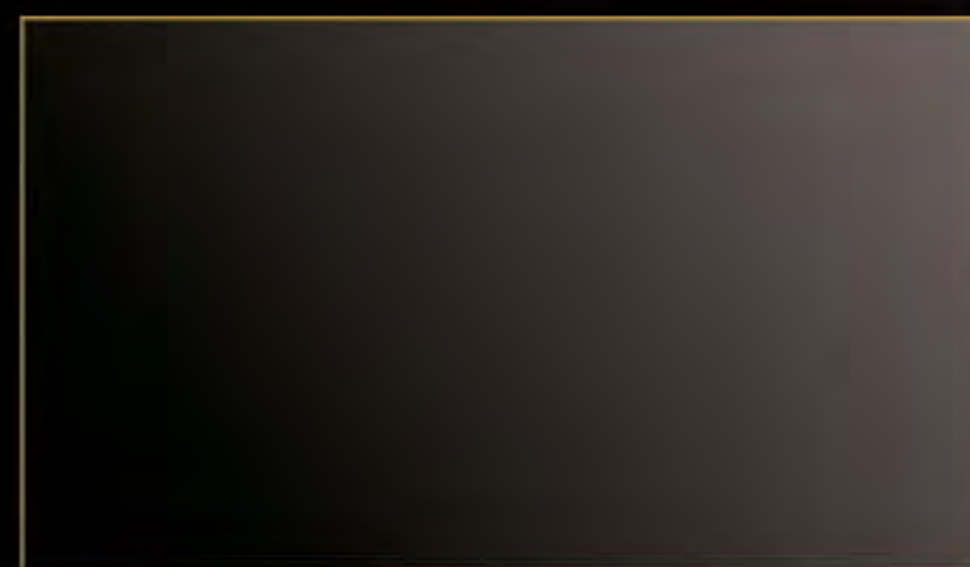
Weight: 314 kg (692 lbs)

GX BLAK SERIES SPECIFICATIONS

		GX-7	GX-6	GX-5	GX-3	GX-2	GX-1
SIZE	Length	7'6" / 229 cm	7'0" / 214 cm	6'7" / 200 cm	6'2" / 188 cm	5'11" / 180 cm	5'5" / 166 cm
	Width	5'3" / 157 cm	5'2" / 154 cm	5'1" / 153 cm	5'1" / 152 cm	5'1" / 152 cm	5'0" / 150 cm
	Height	3'4" / 102 cm	3'4" / 102 cm	3'4" / 102 cm	3'4" / 102 cm	3'4" / 102 cm	3'4" / 102 cm
	Weight	882 lbs / 400 kg	842 lbs / 382 kg	774 lbs / 351 kg	736 lbs / 334 kg	714 lbs / 324 kg	692 lbs / 314 kg
SOUNDBOARD	Material	Tapered Solid Spruce	Tapered Solid Spruce	Tapered Solid Spruce	Tapered Solid Spruce	Tapered Solid Spruce	Tapered Solid Spruce
	Area	1.70 m ²	1.60 m ²	1.41 m ²	1.33 m ²	1.23 m ²	1.17 m ²
BEAMS		4	4	4	4	3	3
HAMMERS	Material	Mahogany	Mahogany	Mahogany	Mahogany	Mahogany	Mahogany
	Felting	Underfelted	Underfelted	Underfelted	Underfelted	Underfelted	Underfelted
SCALE		Full Duplex	Full Duplex	Full Duplex	Full Duplex	Full Duplex	Full Duplex
AGRAFFES		1 st - 54 th Key	1 st - 54 th Key	1 st - 54 th Key	1 st - 54 th Key	1 st - 54 th Key	1 st - 46 th Key
FALLBOARD		Soft Fall with Lock	Soft Fall with Lock	Soft Fall with Lock	Soft Fall with Lock	Soft Fall with Lock	Soft Fall with Lock
LID PROPS		3	3	3	3	3	3
CASTERS		Double, Brass	Double, Brass	Single, Brass	Single, Brass	Single, Brass	Single, Brass



Polished Ebony



Satin Ebony



Polished Brown Sapele Mahogany



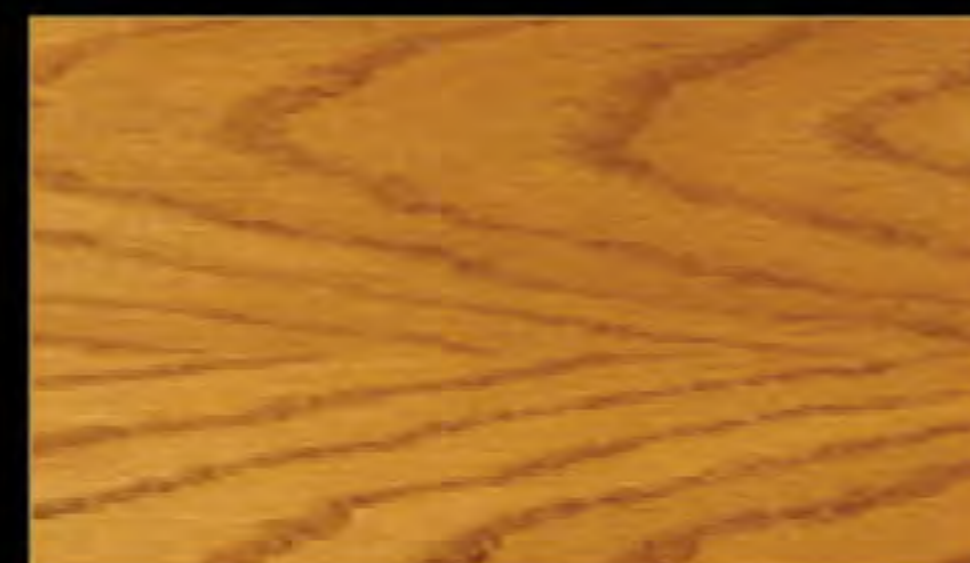
Satin Cherry



Polished Dark Walnut



Satin Dark Walnut



Satin Oak



Polished Snow White



CARING FOR OUR WORLD

THE KAWAI FOREST PROJECT HAS ALREADY PLANTED OVER 350,000 SEEDLINGS WITH A GOAL TO HAVE OVER 500,000 NEW TREES PLANTED BY THE END OF THE DECADE.

In 1997, Kawai's Ryuyo Grand Piano Factory became the first in the piano industry to receive ISO14001, the world's most prestigious certification for excellence in environmental management. At Ryuyo, work groups continuously monitor and improve emissions and waste control, green procurement, and a host of other energy conservation and environmental protection measures. These vital efforts will continue to be a part of every piano we build. That is our promise to you—and to our world.

A FAMILY TRADITION

THERE IS NO MORE COMPELLING REASON TO BUILD AN EXCEPTIONAL PIANO THAN ONE'S OWN NAME ON THE INSTRUMENT. FOR GENERATIONS, THE KAWAI FAMILY HAS BLENDED KNOWLEDGE, SKILL, TECHNOLOGY AND HEART IN THE QUEST TO PERFECT THE ART OF THE PIANO.



KOICHI KAWAI
(1886-1955)
Founder, Inventor,
Master Builder.



SHIGERU KAWAI
(1922-2006)
Pursued excellence at
Kawai for over fifty years.



HIROTAKA KAWAI
President
Continuing the pursuit
of perfection.



AN AWARD-WINNING HISTORY

OVER THE PAST TWO DECADES, KAWAI HAS BECOME ONE OF THE MOST CELEBRATED COMPANIES IN THE GLOBAL MUSIC PRODUCTS INDUSTRY HAVING RECEIVED OVER 40 MAJOR INTERNATIONAL AWARDS FOR PRODUCT AND SERVICE EXCELLENCE.

2015

Music Inc. Supplier Excellence Award
(*Exceptional Products and People*)

Music Inc. Product Excellence Award
(*CA97 Digital Piano*)

2014

Music Inc. Supplier Excellence Award
(*Exceptional Products and People*)

Music Inc. Product Excellence Award
(*CN Series Digital Pianos*)

MMR Digital Home Keyboard of the Year
(*CN Series Digital Pianos*)

MMR Pro Digital Piano Line of the Year
(*MP Series Pro Digital Pianos*)

Tastewelt Magazine
"Best Home Digital under 1500" (*CN34*)

Music Inc. Editor's Choice:
NAMM "Best in Show" (*CS10 Hybrid*)

"Rock on" Company (*Japan*) Silver Prize
(*VPC-1 Professional Controller*)

2013

Music Inc. Supplier Excellence Award
(*Exceptional Products and People*)

MMR Digital Home Keyboard of the Year
(*CA95 Digital Piano*)

Worship Leader Magazine
"Editor's Pick" (*CS7 Digital Piano*)

2012

Music Inc. Supplier Excellence Award
(*Exceptional Products and People*)

MMR Digital Home Keyboard of the Year
(*CA95 Digital Piano*)

Music Inc. Product Excellence Award
(*CA95 Digital Piano*)

Japan Institute of Design Promotion
Good Design Award (*CA95 Digital*)

Diapason d'Or Award, Diapason Magazine
(*CA95 Digital Piano*)

2011

MMR Acoustic Piano of the Year
(*K-3 Professional Upright Piano*)

2010

MMR Acoustic Piano of the Year
(*K-3 Professional Upright Piano*)

Music Inc. Product Excellence Award
(*CA93 Digital Piano*)

Japan Institute of Design Promotion
Good Design Award (*CA93 Digital Piano*)

2009

MMR Acoustic Piano of the Year
(*K-3 Professional Upright Piano*)

Music Inc. Supplier Excellence Award
(*Web Site Design*)

2008

MMR Acoustic Piano of the Year
(*K-3 Professional Upright Piano*)

Worship Leader Magazine "Best of the Best"
(*CA51 Digital Piano*)

Japan Institute of Design Promotion
Good Design Award
(*MP8II Digital*)

2007

MMR Digital Home Keyboard of the Year
(*CA91 Digital Piano*)

2005

MMR Acoustic Piano Line of the Year
(*RX Series Grand Pianos*)

2004

MMR Acoustic Piano Line of the Year
(*RX Series Grand Pianos*)

2003

MMR Acoustic Piano Line of the Year
(*RX Series Grand Pianos*)

Tastewelt Magazine (*Europe*)
"Readers Choice Award"
(*MP9500 Digital*)

Music Inc. Supplier Excellence Award
(*Product Innovation*)

2002

MMR Digital Home Keyboard of the Year
(*CN270 Digital Piano*)

2001

MMR Digital Keyboard of the Year
(*ES1 Portable Digital Piano*)

German Music Assoc.
"Electronic Product of the Year"
(*ES1 Portable*)

2000

MMR Digital Keyboard of the Year
(*CP200 Ensemble Grand Piano*)

Japan Institute of Design Promotion
Good Design Award
(*ES1 Portable Digital*)

Keyboard Magazine "Key Buy"
(*MP9000 Stage Piano*)

Musicmesse Int'l Press Award
(*MP9000 Stage Piano*)

1999

Best in Class, Keyboard Magazine (*Europe*)
(*CA750 Digital Piano*)

1998

Top Digital Piano, SOLO Magazine (*Germany*)
(*CA750 Digital Piano*)



KAWAI
THE FUTURE OF THE PIANO

www.kawaius.com